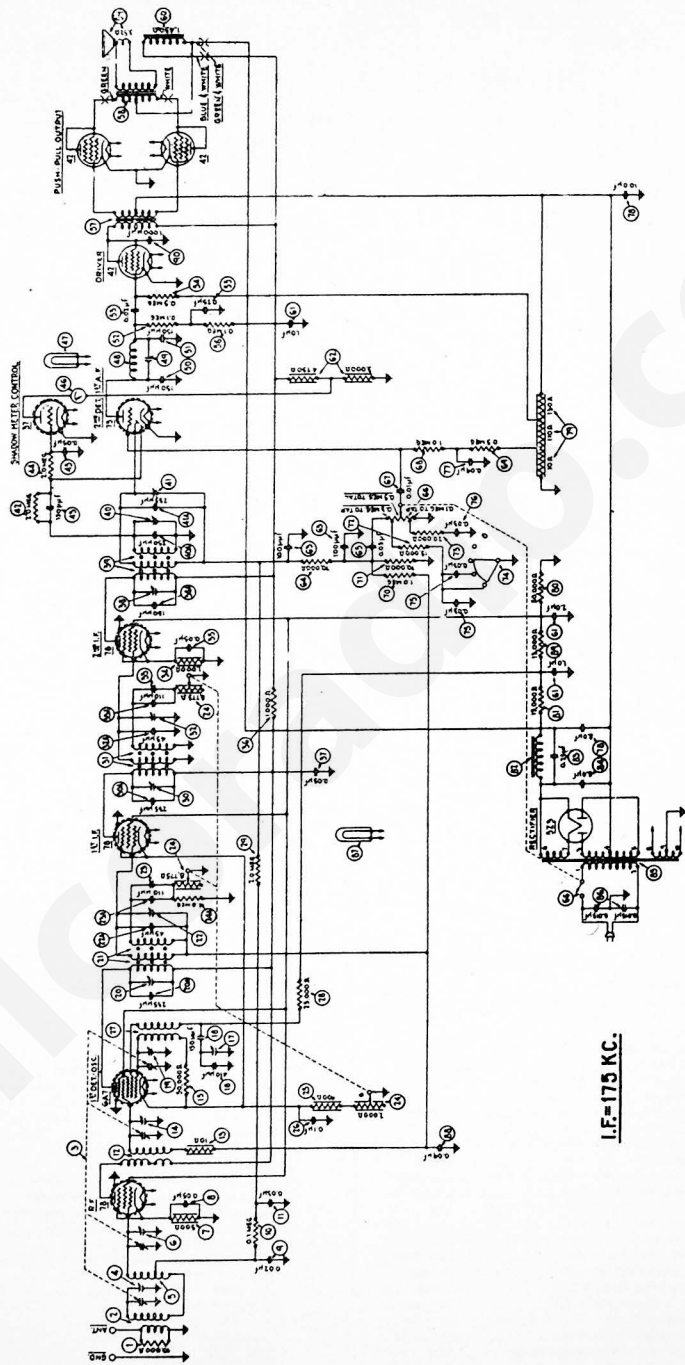
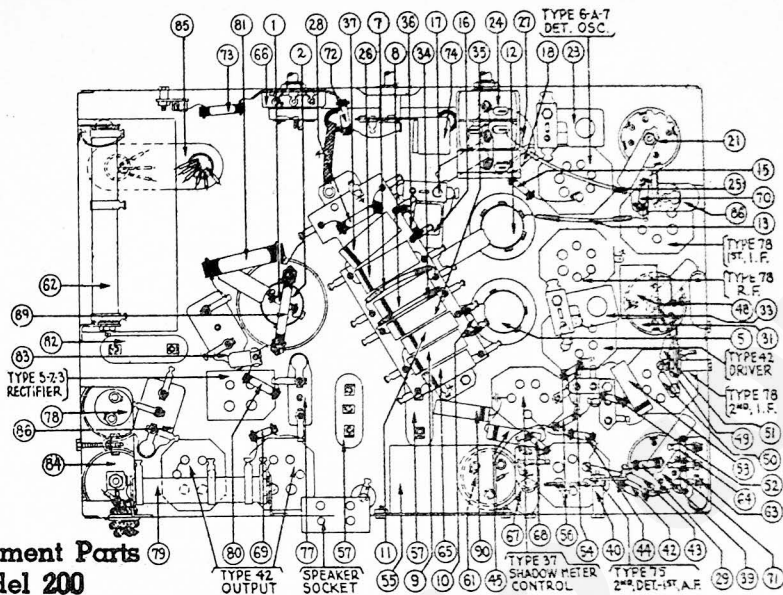


# MODEL 200



NOTE: An 8000 ohm resistor, 82-3016 (Gray-Black-Red) is added across the 2000 ohm section of (2)

I.F. = 175 KC.



## Replacement Parts Model 200

No. on Diagram	Description	Part No.
1	Resistor (10,000 ohms) (Brown-Black-Orange)	33-1000
2	Antenna Transformer	32-1420
3	Tuning Condenser Assembly	31-1217
4	Compensating Condenser (Ant.)	Part of 3
5	R. F. Transformer	32-1421
6	Compensating Condenser (R. F.)	Part of 3
7	Resistor (500 ohms) (Flexible; Green-Black-Brown)	6977
8	Condenser (.05 Mfd. Tubular)	30-4020
9	Condenser (.02 Mfd. Tubular)	30-4113
10	Resistor (100,000 ohms) (White-White-Orange)	6099
11	Condenser (.03 Mfd. Tubular)	30-4025
12	Detector Transformer	32-1422
13	Resistor (10 ohms Flexible Wire-Wound)	33-3139
14	Compensating Condenser (Det.)	Part of 4
15	Resistor (50,000 ohms) (Green-Brown-Orange)	5868
16	Condenser (.00041 Mfd. Mica)	30-1000
17	Compensating Condenser (Osc. L. F.)	04000R
18	Condenser (.00115 Mfd. Mica)	30-1033
19	Compensating Condenser (Osc. H. F.)	Part of 2
20	Compensating Condenser (1st I. F. Pri.)	Part of 25
21	Condenser (.00235 Mfd. Mica)	30-1037
22	First I. F. transformer	32-1403
23	Compensating Condenser (1st I. F. Sec.)	Part of 23
24	Condenser (.00045 Mfd. Mica)	30-1034
25	Compensating Condenser (1st I. F. Tertiary)	04000A
26	Condenser (.00111 Mfd. Mica)	30-1035
27	Fidelity-Selectivity Control (Wire-Wound Resistors) (3000, 8775, 8775 ohm)	33-5070
28	Resistor (1 Meg.) (Brown-Black-Green)	33-1094
29	Resistor (400 ohms Flexible Wire-Wound)	33-3016
30	Condenser (.1 Mfd. Tubular)	30-4122
31	Oscillator Transformer	32-1423
32	Resistor (25,000 ohms) (Red-Green-Orange)	4516
33	Resistor (2 Megs.) (Red-Black-Green)	33-1025
34	Compensating Condenser (2d I. F. Primary)	Part of 21
35	Condenser (.00235 Mfd. Mica)	30-1037
36	2d I. F. Transformer	32-1403
37	Compensating Condenser (2d I. F. Sec.)	Part of 21
38	A Condenser (.00045 Mfd. Mica)	30-1034
39	Compensating Condenser (2d I. F. Tertiary)	04000A
40	Condenser (.00111 Mfd. Mica)	30-1035
41	Resistor (1,000 ohms) (Flexible Wire-Wound)	33-3017
42	Condenser (.05 Mfd. Tubular)	30-4020
43	Resistor (1,000 ohms) (Brown-Black-Red)	5837
44	Condenser (.05 Mfd. Tubular)	30-4123
45	Compensating Condenser (3d I. F. Primary)	Part of 20
46	A Condenser (.00115 Mfd. Mica)	30-1041
47	Third I. F. Transformer	32-1404
48	Compensating Condenser (3d I. F. Tertiary)	04000X
49	A Condenser (.00235 Mfd. Mica)	30-1038
50	Compensating Condenser (3d I. F. Secondary)	Part of 20
51	A Condenser (.00235 Mfd. Mica)	30-1037
52	Resistor (2 Megs.) (Red-Black-Green)	33-1025
53	Condenser (.00115 Mfd. Mica)	30-1033
54	Resistor (2 Megs.) (Red-Black-Green)	33-1025
55	Condenser (.05 Mfd. Tubular)	30-4020
56	Shadowmeter	45-2028
57	Pilot Lamp (Shadowmeter)	Part of 56

No. on Diagram	Description	Part No.
58	Filter Coil (10 K. C.)	32-7251
59	Compensating Condenser (10 K.C. Audio Filter Trap Circuit)	04000B
60	Condenser (.0015 Mfd. Mica)	30-1033
61	Condenser (.0015 Mfd. Mica)	30-1033
62	Resistor (100,000 ohms) (White-White-Orange)	6099
63	Condenser (.02 Mfd. Tubular)	30-4113
64	Resistor (.5 Meg.) (Yellow-White-Yellow)	6097
65	Condenser (.25 Mfd. Metal Case)	4254
66	Resistor (100,000 ohms) (White-White-Orange)	6099
67	Audio Transformer	32-7257
68	Output Transformer (On Speaker)	32-7247
69	Voice Coil and Cone Assembly (U-7 Speaker)	33-5321
70	Field Coil and Pot Assembly (U-7 Speaker)	36-3088
71	Condenser (Electrolytic—1, 1.2 Mfd.)	30-2080
72	B. C. Resistor (Wire-Wound—4750 ohms, 3000 ohms)	33-3138
73	Condenser (.0011 Mfd. Twin—Bakelite Block)	3035-P
74	Resistor (70,000 ohms) (Violet-Black-Orange)	33-1115
75	Condenser (.03 Mfd. Tubular)	30-4025
76	Volume Control (500,000 ohms Tapped at 100,000) and On-Off Switch	33-5071
77	Condenser (.01 Mfd. Bakelite Block)	3903-G
78	Resistor (1 Meg.) (Brown-Black-Green)	33-1094
79	Resistor (500,000 ohms) (Yellow-White-Yellow)	6097
80	Resistor (1 Meg.) (Brown-Black-Green)	33-1094
81	Resistor (70,000 ohms) (Violet-Black-Orange)	33-1115
82	Resistor (15,000 ohms) (Brown-Green-Orange)	6208
83	Resistor (20,000 ohms) (Red-Black-Orange)	6050
84	Base Compensator	30-4196
85	Condensers (In Base Compensator)	Part of 84
86	Condenser (.03 Mfd. Tubular)	30-4025
87	Condenser (.09 Mfd. Bakelite Block)	4889AR
88	Condenser (Electrolytic—8 10 Mfd.)	30-2046
89	B. C. Resistor (10 110, 130 ohms)	33-3137
90	Resistor (51,000 ohms) (Green-Brown-Orange)	4518
91	Resistor (15,000 ohms) (Brown-Green-Orange)	6208
92	Filter Choke	32-7056
93	Condenser (.25 Mfd. Bakelite Block)	6287-S
94	Condenser (Electrolytic—8 Mfd.)	30-2011
95	Power Transformer, 115 volts 60 cycles	32-7258
96	" " 115 volts 25 cycles	32-7259
97	Condenser (.015 Mfd. Twin Bakelite Block)	3793-K
98	Pilot Lamp (Station Selector)	6608
99	Condenser (.09 Mfd. Bakelite Block)	4889N
100	Resistor (13,000 ohms) (Brown-Orange-Orange)	3766
101	Condenser (.001 Mfd. Tubular)	30-4201
102	Four Prong Socket	7544
103	Five Prong Socket	7546C
104	Six Prong Socket	6417C
105	Seven Prong Socket	27-4008
106	Speaker Socket	4957
107	Dial Assembly	31-1255
108	Dial Scale	27-5049
109	Knob (Large)	27-4061
110	Knob (Small)	27-4062
111	Chassis Mtg. Screw	W 1388A
112	Chassis Mtg. Foot (Rubber)	27-4115
113	Chassis Mtg. Foot (Steel)	29-1983
114	Chassis Mtg. Foot Plate	27-7497
115	Tube Shield	28-1107
116	A. C. Cord and Plug Assembly	L-945A